

# 1/4 TURN SUPPLY STOP VALVE

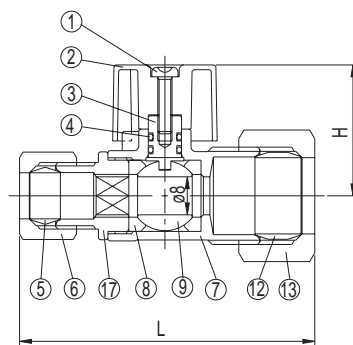
• Chrome Plated

• Polish Brass Finish



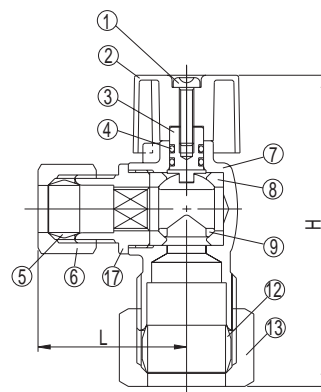
## NOMENCLATURE AND MATERIALS

NO.	PART	MATERIAL	SPEC.JIS	SPEC.ASTM	NO.	PART	MATERIAL	SPEC.JIS	SPEC.ASTM
1	HANDLE SCREW	STEEL	S10C	AISI-1010	8	BALL DISC PACKING	RUBBER or TEFLON	EPDM or PTFE	EPDM or PTFE
2	HANDLE	ZINC ALLOY	H5301	B86	9	BALL DISC	BRASS	C3604B	B16-C36000
3	STEM	BRASS	C3604B	B16-C36000	12	COMPRESSION RING	BRASS TURB	C-2600T	B135-C26000
4	O-RING	RUBBER	NBR	NBR	13	COMPRESSION NUT	BRASS	C3604B	B16-C36000
5	COMPRESSION RING	BRASS TUBE	C-2600T	B135-C26000	17	END PLUG	BRASS	C3604B	B16-C36000
6	COMPRESSION NUT	BRASS	C3604B	B16-C36000					
7	BODY	FORGED BRASS	C3771B	B124-C37700					



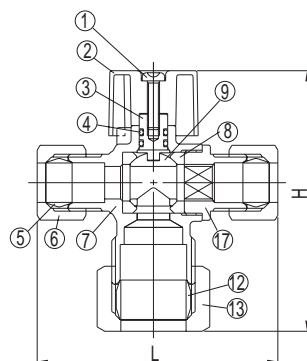
### DIMENSIONS-QUANTITIES/STRAIGHT TYPE

FIG:NO	NOMIZAL			PCS	
	SIZE	L	H	Carton	Case
F1331SRN	5/8"COMP×3/8"COMP.	62	28	240	/
F1331SRF	3/8"F.I.P×3/8"COMP.	51	28	240	/
	1/2"F.I.P×3/8"COMP.	55	28	240	/
F1331SRC	1/2"SWT×3/8"COMP.	63	28	240	/
F1331SRP	1/2"PEX×3/8"COMP.	57	28	240	/
F1331SRV	1/2"CPVC×3/8"COMP.	70	28	240	/
F1331SPP	1/2"PEX×1/2"PEX.	57	28	240	/
F1331SPM	1/2"M.I.P×1/2"PEX.	55	28	240	/
F1331SSJN	5/8"COMP×1/2-7/16S.J	62	28	240	/
F1331SSJF	1/2"F.I.P×1/2-7/16S.J	55	28	240	/
F1331SFF	3/8"F.I.P×3/8"F.I.P	44	28	240	/
F1331SMM	1/2"M.I.P×1/2"M.I.P	50	28	240	/



### DIMENSIONS-QUANTITIES/ANGLE TYPE

FIG:NO	NOMIZAL			PCS	
	SIZE	L	H	Carton	Case
F1331ARN	5/8"COMP×3/8"COMP	31	64	240	/
F1331ARNQ	5/8"COMP×1/4"COMP.	28	64	240	/
F1331ARF	3/8"F.I.P×3/8"COMP.	31	53	240	/
	1/2"F.I.P×3/8"COMP.	31	56	240	/
F1331ARFQ	1/2"F.I.P×1/4"COMP.	28	56	240	/
F1331ARC	1/2"SWT×3/8"COMP.	31	65	240	/
F1331ARP	1/2"PEX×3/8"COMP.	31	76	240	/
F1331ARV	1/2"CPVC×3/8"COMP.	31	72	240	/
F1331ASJN	5/8"COMP×1/2-7/16S.J	31	64	240	/
F1331ASJF	1/2"F.I.P×1/2-7/16S.J	31	56	240	/



### DIMENSIONS-QUANTITIES/DUAL OUTLET TYPE

FIG:NO	NOMIZAL			PCS	
	SIZE	L	H	Carton	Case
F1331DRN	5/8"COMP×3/8"COMP×3/8"COMP	59	64	240	/
F1331DRNQ	5/8"COMP×3/8"COMP×1/4"COMP	57	64	240	/
F1331DRF	1/2"F.I.P×3/8"COMP×3/8"COMP	59	56	240	/
F1331DRFQ	1/2"F.I.P×3/8"COMP×1/4"COMP	57	56	240	/